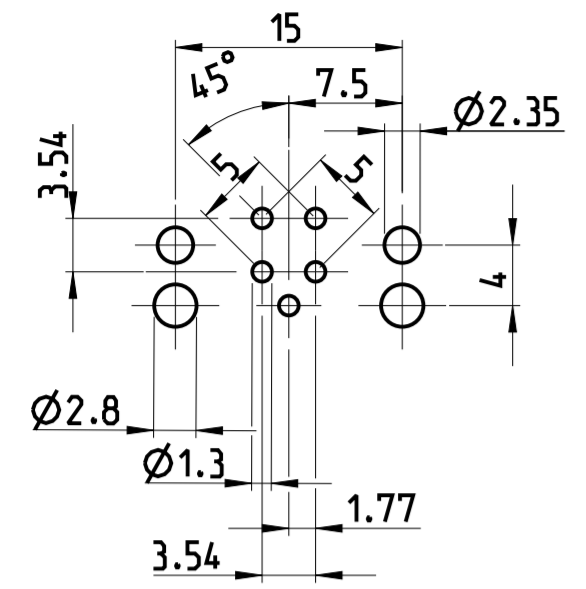


THIS DRAWING IS UNPUBLISHED. VERBODEN DE AFBEELDING EN DE INHOUD PUBLICEEREN. RELEASED FOR PUBLICATION FREI FÜR VERÖFFENTLICHUNG. 2014. DATED WITH PASSENO ZU.

PROJECT NO.: PRJ-11-000004377

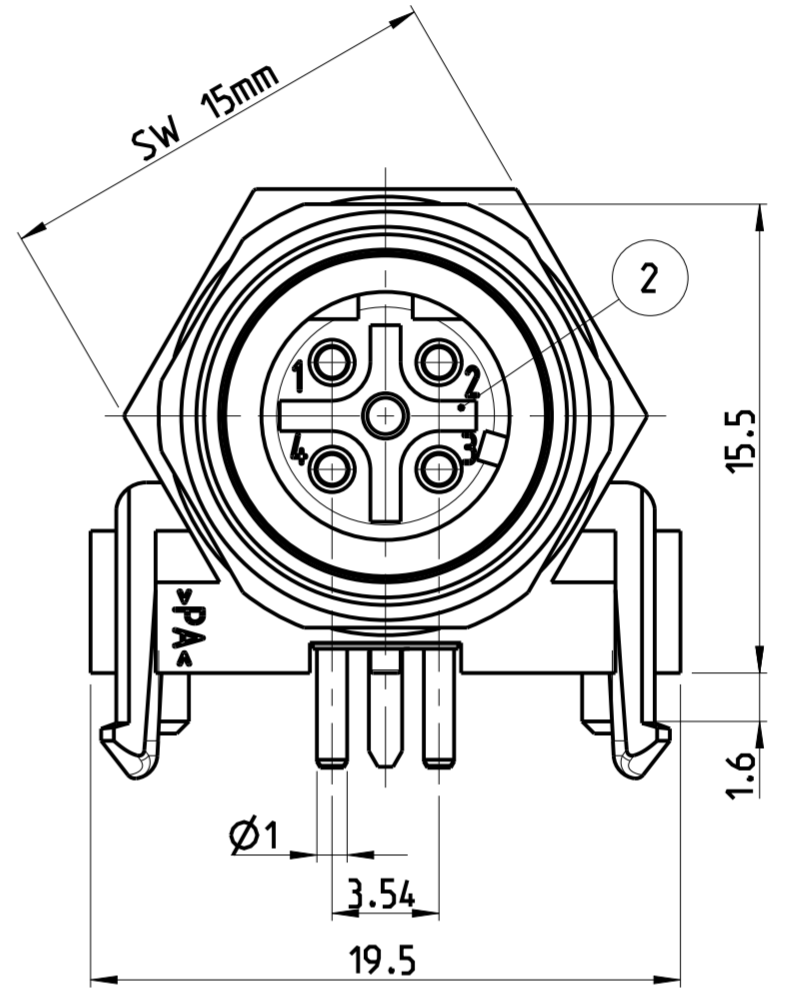
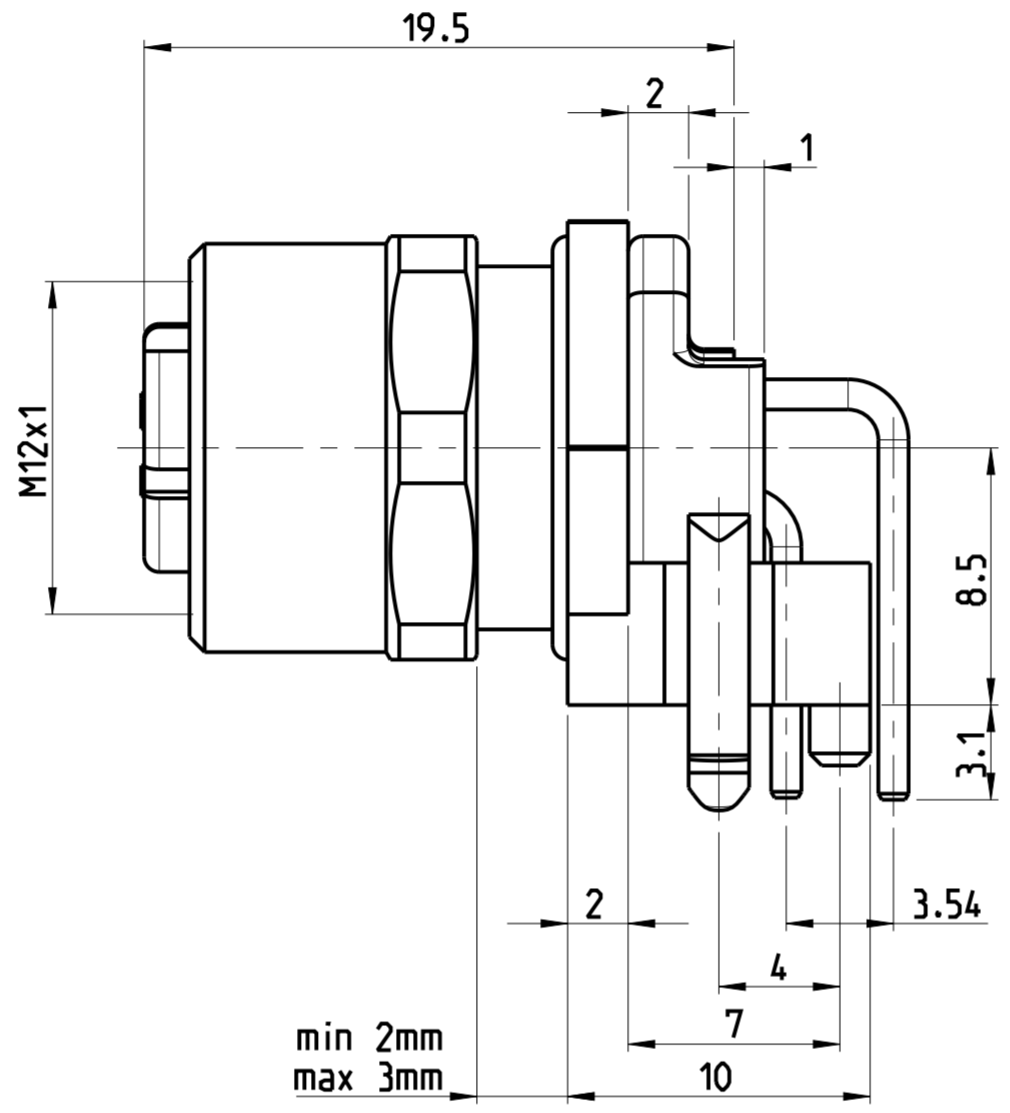
| REVISIONS |             | DATE      | DWN | APVD |
|-----------|-------------|-----------|-----|------|
| NO.       | DESCRIPTION |           |     |      |
| A         | NEW RELEASE | 04DEC2014 | TJ  | PS   |

CONDUCTOR LAYOUT



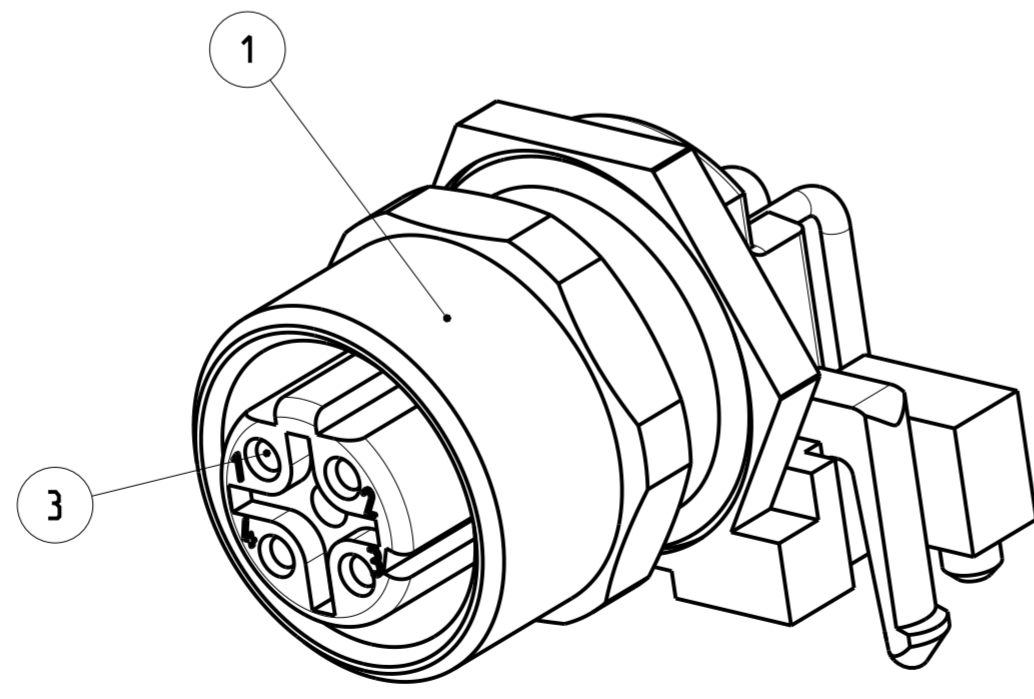
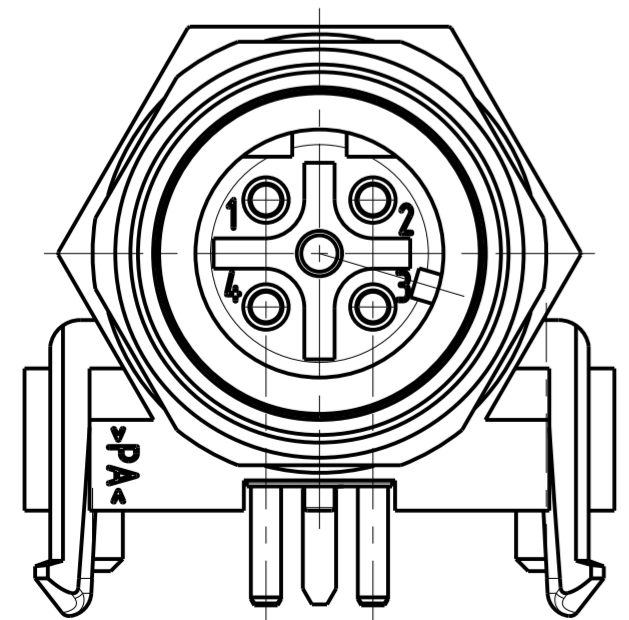
NOTES:  
 1 MATERIAL: ITEM NO. 1: HOUSING - CuZn (BRASS, NICKEL PLATED)  
 ITEM NO. 2: CONTACT BODY - PA (GREEN)  
 ITEM NO. 3: CONTACT - CuZn (BRASS)  
 CONTACT FINISH - Sn (TIN)  
 2 ALL DIMENSIONS ARE FOR NOMINAL REFERENCE ONLY UNLESS OTHERWISE STATED

| TECHNICAL DATA        | 3-2172066-2 |
|-----------------------|-------------|
| RATED VOLTAGE         | 125V        |
| RATED IMPULSE VOLTAGE | 2500V       |
| POLLUTION DEGREE      | 3           |
| OVERVOLTAGE CATEGORY  | II          |
| MATERIAL GROUP        | II          |
| RATED CURRENT         | 4A          |
| VOLUME RESISTIVITY    | ≤ 8mΩ       |
| DEGREE OF PROTECTION  | IP67        |
| UPPER TEMPERATURE     | +85 °C      |
| LOWER TEMPERATURE     | +40 °C      |



PIN ARRANGEMENT D-CODING

3-2172066-2



SIZE ISO 14405 (E)

|  |  |                              |  |
|--|--|------------------------------|--|
| DIESE ZEICHNUNG IST EIN KONTROLLIERTES DOKUMENT. BEMASSUNGEN UND TOLERANZEN GEMAESS GPS (ISO STANDARDS). |  | DWN YASHKUMAR 25 JUL 2014    |  |
| THIS DRAWING IS A CONTROLLED DOCUMENT. DIMENSIONING AND TOLERANCING PER GPS (ISO STANDARDS).             |  | CHK M. BRUBAKER 25 JUL 2014  |  |
| DIMENSIONS: MASSE/MASSSTAB: (MM)   |  | APVD M. BRUBAKER 25 JUL 2014 |  |
| TOLERANCES UNLESS OTHERWISE SPECIFIED: ALLGEMEINTOLERANZEN   |  | NAME M. BRUBAKER             |  |
| 0 PLC ±  |  | PRODUCT SPEC 108-19483       |  |
| 1 PLC ±  |  | APPLICATION SPEC 114-32127   |  |
| 2 PLC ±  |  | WEIGHT GEWICHT -             |  |
| 3 PLC ±  |  | Customer Drawing             |  |
| 4 PLC ±  |  | Customer Drawing             |  |
| ANGLES/WINKEL ±  |  | Customer Drawing             |  |
| FINISH/OBERFLAECHE/FARBE   |  | Customer Drawing             |  |

|  |                 |                                      |
|--|-----------------|--------------------------------------|
| ⚠  | 4               | 3-2172066-2                          |
| MATERIAL   | NUMBER OF POLES | TE-PART-NO.                          |
| <b>STE</b> TE Connectivity                                       |                 |                                      |
| NAME M12 RECEPTACLE, FEMALE, PCB MOUNT ANGLED, SHIELDED, D-CODED |                 |                                      |
| SIZE A2  | CAGE CODE 00779 | DRAWING NO. ZEICHNUNGS-NR. C-2172066 |
| SCALE MASSSTAB 4:1   | SHEET BLATT 1   | OF VON 1                             |
| RESTRICTED TO NUR FÜR -  | REV A           |                                      |